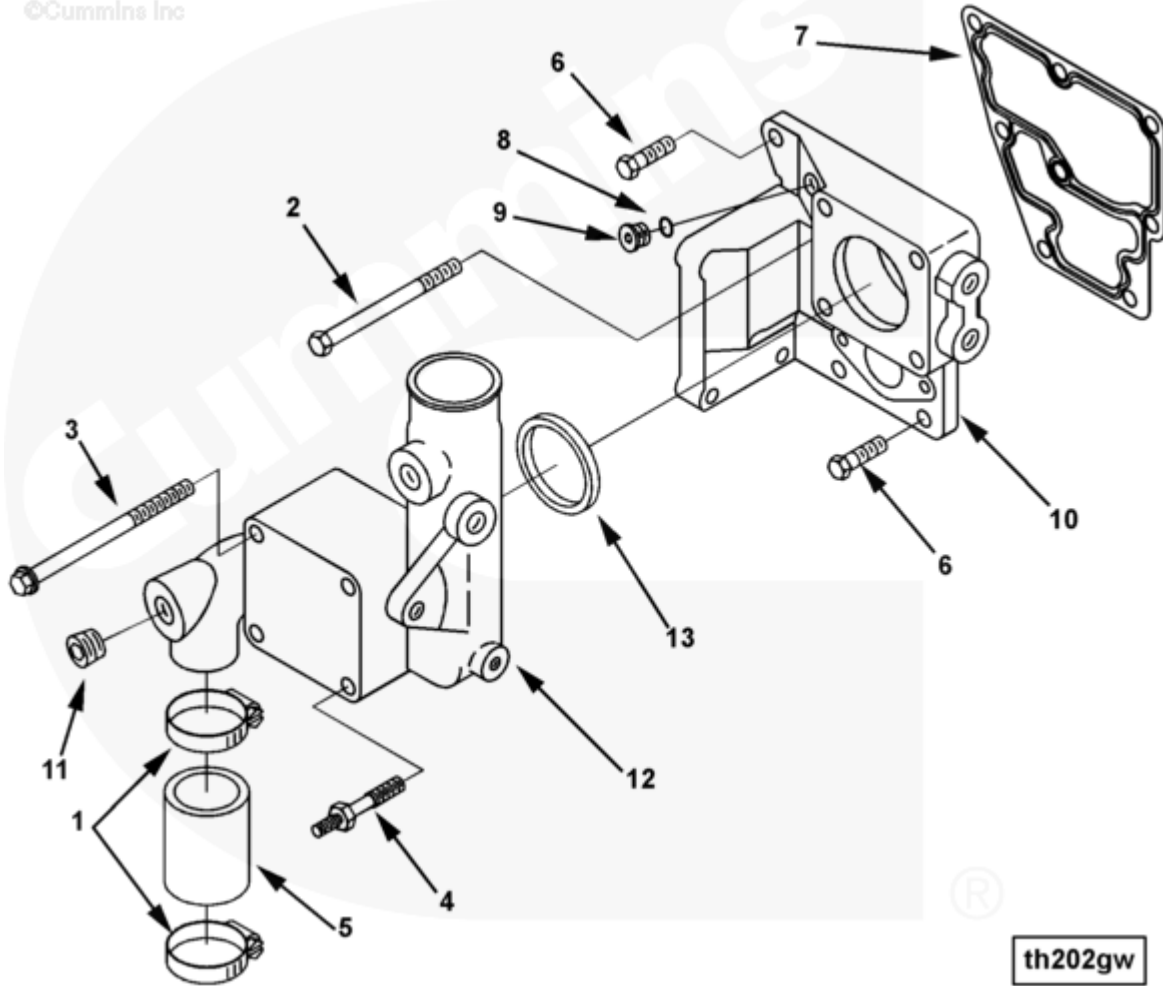




## Parts Catalog - Option Detail

Electronic Parts Catalog - Option Detail				
Option	Group	Graphic	Film Card	Date
TH2098-03	08.07	th202gw	II	11-NOV-03
<b>Engines</b>	ISM CM570, ISM CM570/870, ISM CM875, ISM CM876, ISM CM876 E, ISM11 CM876 M103, ISM11 CM876 SN, M11 CELECT, M11 CELECT PLUS, M11 MECHANICAL, QSM11 CM570, QSM11 CM876			

©Cummins Inc



SMALL | MEDIUM | LARGE

Cart	Ref No	Part Number	Part Description	Required	Remarks
View My Cart					
		TH2098-03	Thermostat Housing		
					Thermostat Housing
					Wtr Outlet Connection Style:

				Cast On
				Wtr Outlet Outside Dia: 57mm
				(2.24")
				Wtr Outlet Direction:
				Vertical
				Thrm Spt Top Front Wtr Port
				Size: 3/8 NPTF
				Thrm Spt Bottom Front Wtr
				Port Size: 9/16-18 UNF
				Wtr Outlet Horiz Distance:
				204.6mm (8.06")
				Wtr Outlet Vert Distance:
				393mm (15.47")
				Wtr Out Horiz Distance From
				FFOB: 17.5mm (0.69")
				OEM Attachment Stud Loc:
				Lower Right, Upper Right
				Unique Characteristics:
				Corrosion Protection
				Alt Mtg Tab Vert from Crank
				C/L: 332.46mm (13.09")
				Thermo Opening Temp: 71 C
				(159.8 F)
				Thermo Full Open Temp: 79 C
				(174.2 F)
				Thermo Vent Arrangement:
				Non-Vented
				Thermostat Quantity: 1

<input type="checkbox"/>	1	<a href="#">3008690</a>	Hose Clamp	2	1 3/4 - 2 1/4 in.
<input type="checkbox"/>	2	<a href="#">3017502</a>	Hexagon Head Cap Screw	1	M10 x 1.50 x 120
<input type="checkbox"/>	3	<a href="#">3081347</a>	Hexagon Head Cap Screw	1	M10 x 1.50 x 145
<input type="checkbox"/>	4	<a href="#">3081350</a>	Studded Hexagon Cap Screw	3	M10 x 1.50 x 172
<input type="checkbox"/>	5	<a href="#">3820667</a>	Plain Hose	1	
<input type="checkbox"/>	6	<a href="#">3820988</a>	Hexagon Head Cap Screw	3	M10 x 1.50 x 35
<input type="checkbox"/>	7	<a href="#">3893692</a>	Support Gasket	1	
<input type="checkbox"/>		<a href="#">4083537</a>	Thermostat Housing Support	1	
<input type="checkbox"/>		<a href="#">3037536</a>	Threaded Plug	1	9/16 - 18 UNF
<input type="checkbox"/>	8	<a href="#">3037537</a>	O-Ring Seal	1	
	9	<a href="#">3040813</a>	Threaded Plug	1	9/16 - 18 UNF
		<a href="#">4083538</a>	Support , Thermostat Housing Top Level Assembly	1	
	10	<a href="#">4083188</a>	Thermostat Housing Support	1	
<input type="checkbox"/>		<a href="#">4004430</a>	Thermostat Housing	1	
<input type="checkbox"/>	11	<a href="#">3008469</a>	Pipe Plug	1	3/4 NPT
	12	<a href="#">4004431</a>	Thermostat Housing	1	
<input type="checkbox"/>	13	<a href="#">186780</a>	Thermostat Seal	1	